

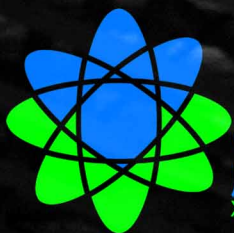


BALDOR® • *RELIANCE*

Product Information Packet

M3452

.17HP,1140RPM,3PH,60HZ,48,3408M,TEFC,F1



QQ: 925935882

厦门天络纬
Xiamen Tianluwei

欧美各品牌工业电气设备及停产配件备件进口

合作商



ROSEMOUNT

NSK

YASKAWA

SIEMENS



MARPOSS



Honeywell



Cutler-Hammer

Orientalmotor



Furnas

Product Detail							
Revision:	P	Status:	PRD/A	Change #:		Proprietary:	No
Type:	AC	Prod Type:	3408M	Elec. Spec:	34WGW011	CD Diagram:	CD0005
Enclosure	TEFC	Mfg Plant:		Mech Spec:	34A051	Layout:	34LYA051
Frame:	48	Mounting:	F1	Poles:	06	Created Date:	
Base:	RG	Rotation:	R	Insulation:	B	Eff. Date:	07-19-2007
Leads:	9#18	Literature:		Elec. Diagram:		Replaced By:	

Nameplate NP1256L									
CAT.NO.	M3452								
SPEC.	34A51W11								
HP	.17								
VOLTS	230/460								
AMP	1.1/.55								
RPM	1140								
FRAME	48	HZ			60	PH	3		
SER.F.	1.35	CODE			K	DES	B	CLASS	B
NEMA-NOM-EFF	57.5	PF			49				
RATING	40C AMB-CONT								
CC				USABLE AT 208V		1.3			
DE	6203	ODE			6203				
ENCL	TEFC	SN							
	SFA 1.2/.6								

Parts List			
Product ID	Description	Quantity	List Price
SA009763	SA 34A51W11	1.000	203.00
RA006208	RA 34A51W11	1.000	169.00
NS2512A01	INSULATOR, CONDUIT BOX X X	1.000	2.00
34CB3002A	CB CAST W/.88 DIA HOLE	1.000	13.00
34GS1029A01	GASKET, CONDUIT BOX	1.000	2.00
51XB1016A07	10-16 X 7/16 HXWSSLD SERTYB	2.000	2.00
11XW1032G06	10-32 X .38, TAPTITE II, HEX WSHR SLTD U	1.000	3.00
34EP3102A01SP	FR ENDPLATE, MACH	1.000	68.00
HW5100A03SP	WAVY WASHER (W1543-017)	1.000	2.00
34EP3102A02SP	FR/PU ENDPLATE, MACH	1.000	24.00
XY1032A02	10-32 HEX NUT DIRECTIONAL SERRATION	4.000	2.00
34FN3002A01SP	EXTERNAL FAN, PLASTIC, .637/.639 HUB W/	1.000	14.00
34FH4002A01SP	IEC FH NO GREASER	1.000	23.00
51XW1032A06	10-32 X .38, TAPTITE II, HEX WSHR SLTD S	3.000	3.00
34CB4517	CB LID 4 MTG HOLES .22 DIA STAMPED, FOR	1.000	5.00
34GS1031A01	GASKET, FLAT CONDUIT BOX LID (LEXIDE)	1.000	2.00
51XW0832A07	8-32 X .44, TAPTITE II, HEX WSHR SLTD SE	4.000	2.00
MG1000G27	PAINT- S9282E CHARCOAL GREY	0.014	4,000.00
10XF0440S02	04-40 X 1/8 TYPE F HEX HD STAINLESS STIC	2.000	2.00
HA3100A12	THRUBOLT 10-32 X 7.375	4.000	2.00
LB1125C01	STD (STOCK) CARTON LABEL BALDOR WITH FLA	1.000	2.00
LC0005E01	CONN.DIA./WARNING LABEL (LC0005/LB1119)	1.000	2.00
NP1256L	NP STD LASER ENGRAVED, UL CSA CC, W/O TH	1.000	3.00
34PA1002	PACKING GROUP, BALDOR	1.000	13.00

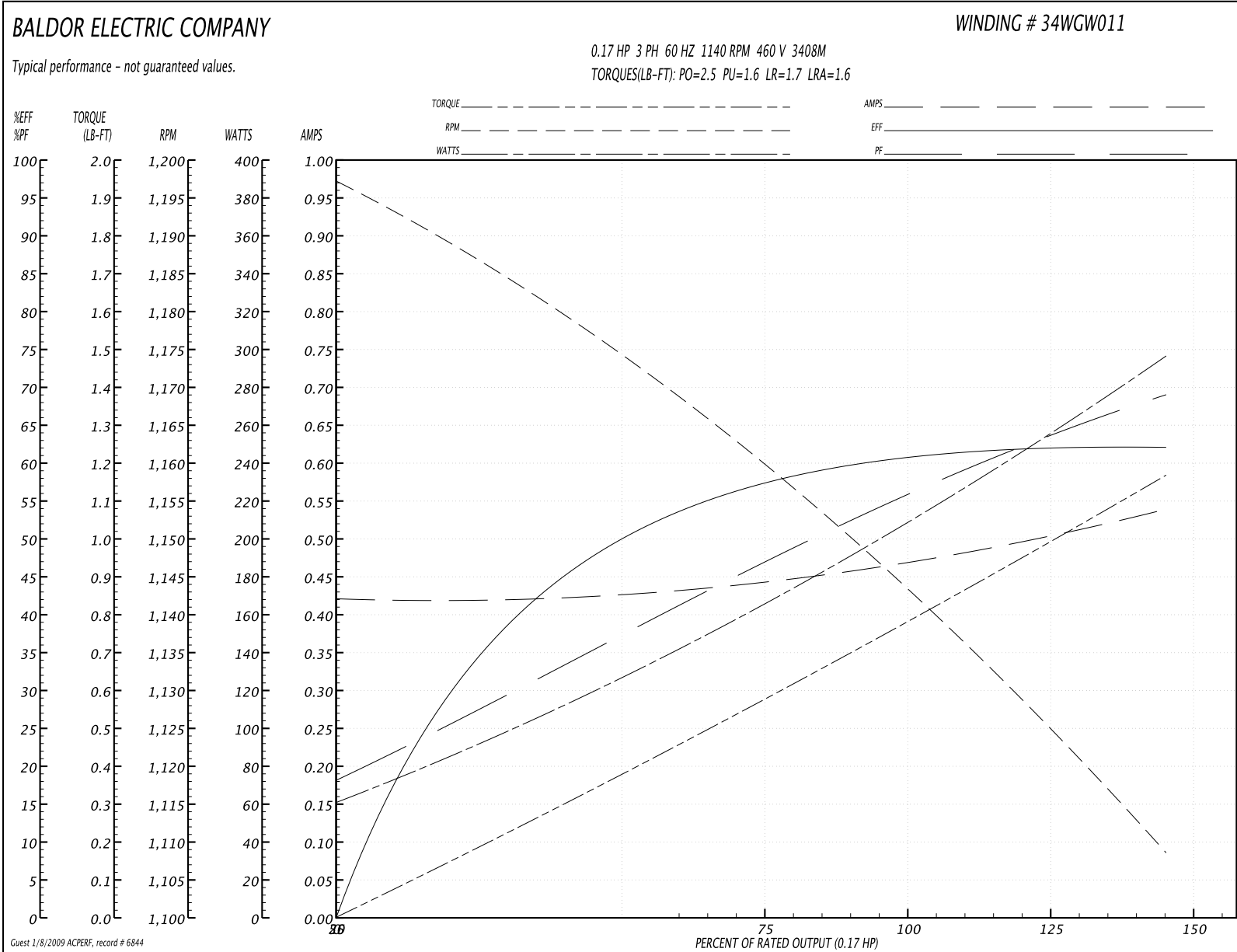
Performance Data at 460V, 60Hz, 0.17HP (Typical performance - Not guaranteed values)
General Characteristics

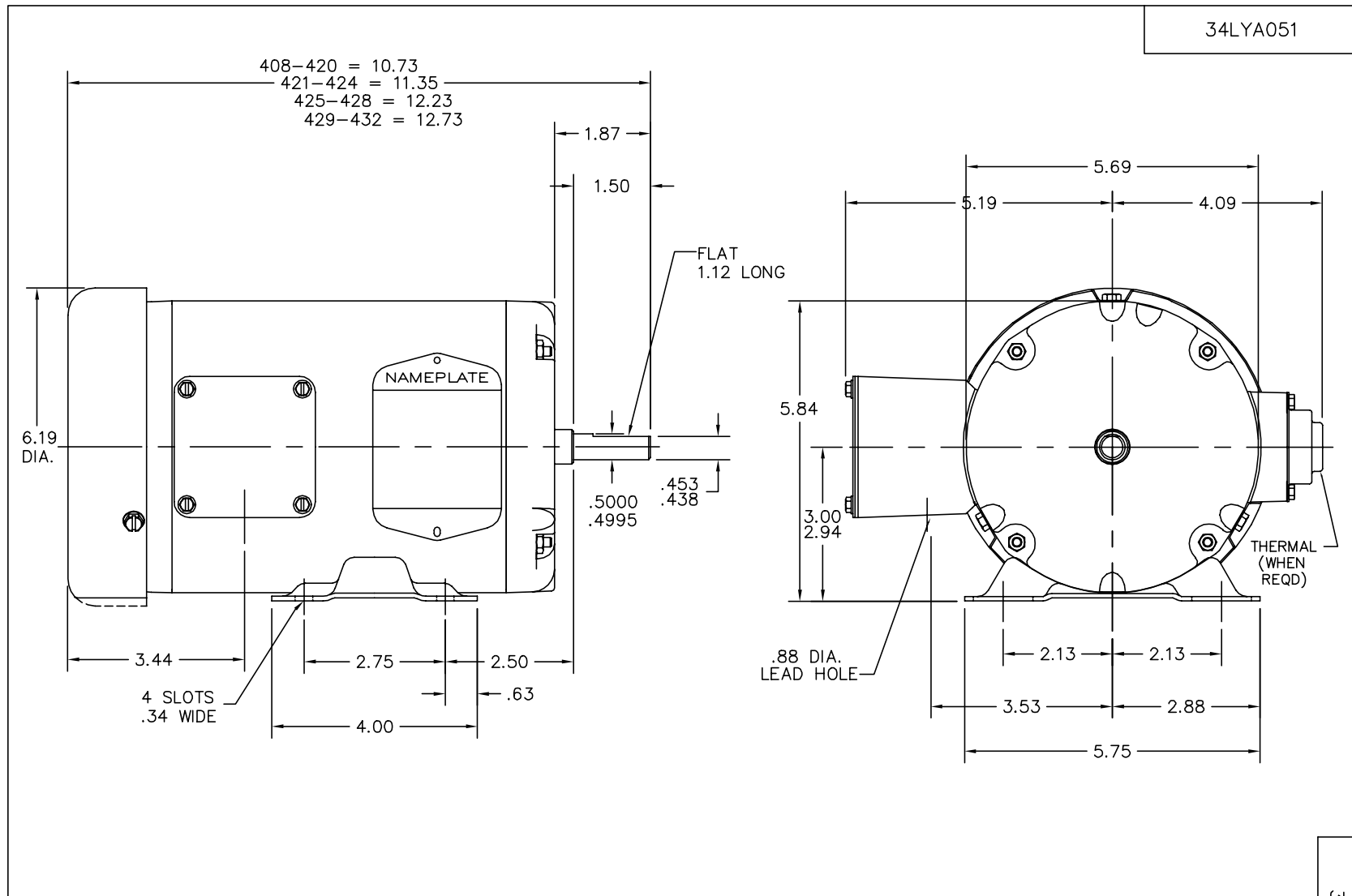
Full Load Torque:	0.78 LB-FT	Start Configuration:	DOL
No-Load Current:	0.42 Amps	Break-Down Torque:	2.5 LB-FT
Line-line Res. @ 25°C.:	158.0 Ohms A Ph / 0.0 Ohms B Ph	Pull-Up Torque:	1.6 LB-FT
Temp. Rise @ Rated Load:	38°C	Locked-Rotor Torque:	1.7 LB-FT
Temp. Rise @ S.F. Load:	48°C	Starting Current:	1.6 Amps

Load Characteristics

% of Rated Load:	25	50	75	100	125	150	S.F.
Power Factor:	28.0	38.0	47.0	55.0	63.0	68.0	66.0
Efficiency:	35.0	50.0	58.0	61.0	62.0	62.0	62.4
Speed:	1185.0	1174.0	1159.0	1144.0	1127.0	1108.0	1120.0
Line Amperes:	0.42	0.43	0.44	0.47	0.5	0.54	0.51

Performance Graph at 460V, 60Hz, 0.17HP (Typical performance - Not guaranteed values)





CUSTOMER IS RESPONSIBLE FOR DETERMINING THAT MOTOR PERFORMANCE IS SUITABLE IN THE APPLICATION.

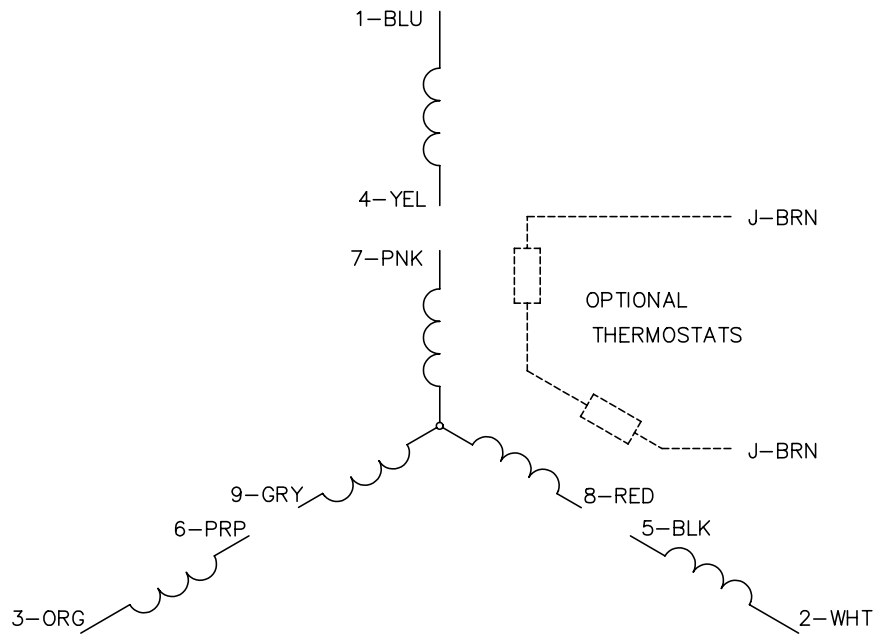
REV. DESC: DIM: KOBX LOC FROM ODE TO THE CENTERLINE OF KOBX		
REV. LTR: H	VERSION: 01	TDR: 000000386903
34LYA051	FILE: \AAA\00006\622	REVISED: 11:25:37 01/26/2006
	MTL: -	BY: ENMARW1

BALDOR ELECTRIC Co.

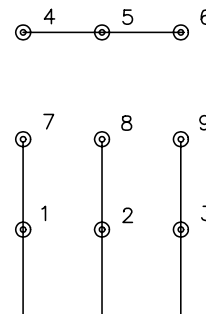
STD HORZ 34M NEMA 48 TEFC

34LYA051

CD0005

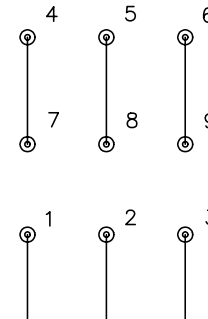


LOW VOLTAGE
(2Y)



LINE

HIGH VOLTAGE
(1Y)



LINE

NOTES:

1. INTERCHANGE ANY TWO LINE LEADS TO REVERSE ROTATION.
2. OPTIONAL THERMOSTATS ARE PROVIDED WHEN SPECIFIED.
3. ACTUAL NUMBER OF INTERNAL PARALLEL CIRCUITS MAY BE A MULTIPLE OF THOSE SHOWN ABOVE.
4. LEAD COLORS ARE OPTIONAL. LEADS MUST ALWAYS BE NUMBERED AS SHOWN.

REV. DESC: REVISE TO SHOW OPTIONAL COLORS			
REV. LTR: E	BY: JLP	REVISED: 01/19/99 10:15	TDR: 0171435
9000D		FILE: AAA00005140	MDL: -
		MTL: -	

BALDOR ELECTRIC Co.

3PH, DV, 9 LEADS

CD0005